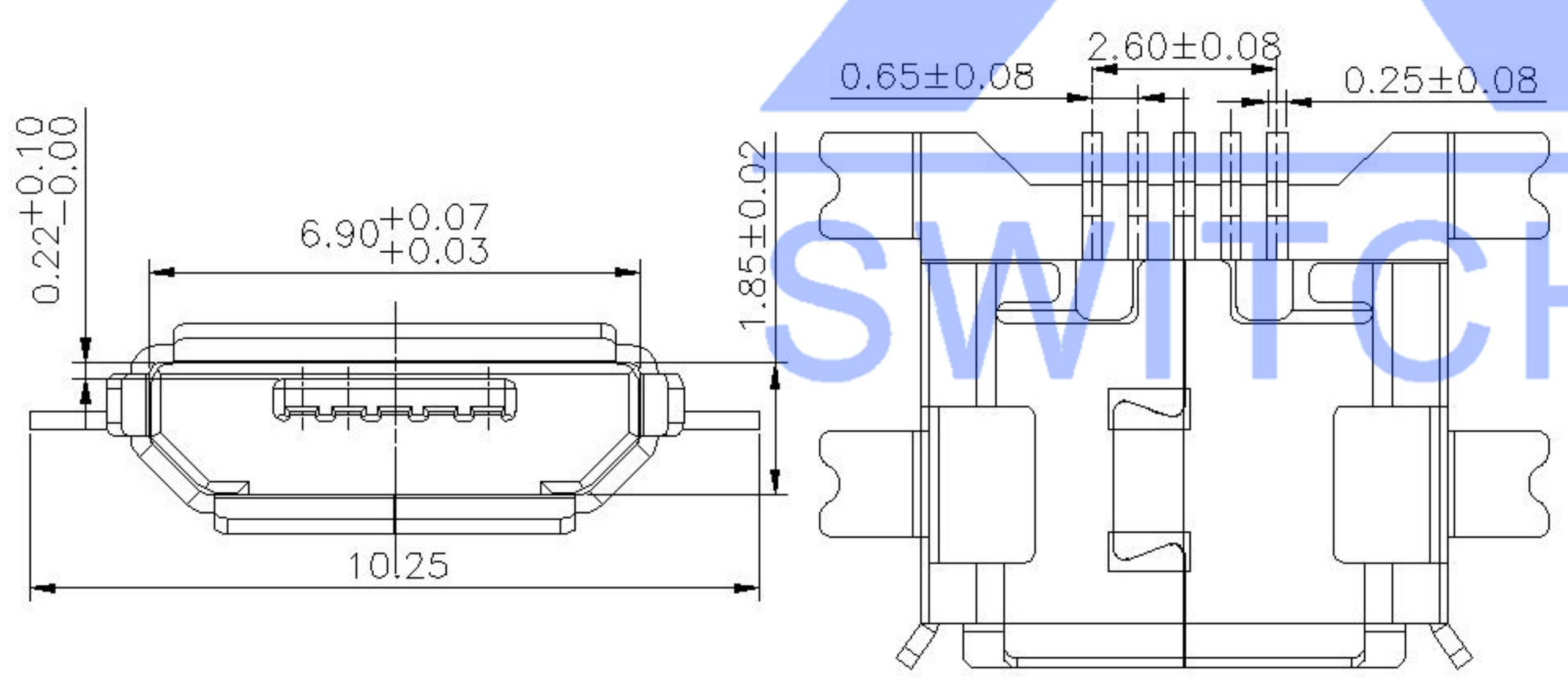


Flat (F)

X	1	2	3
H	1.2	1.17	0.7
Y	1.15	1.18	1.65

Scrolls (S)



NOTES:

- ELECTRICAL:
 - VOLTAGE CURRENT RATING: 1.0AMP, 30V AC;
 - INSULATION RESISTANCE: 100MΩ MIN;
 - CONTACT RESISTANCE: 50mΩ MAX;
 - WITHSTANDING VOLTAGE: 300V AC;
 - OPERATING TEMPERATURE: -55°C TO +85°C.
- Mechanical:
 - Mating Force: 30N MAX
 - Unmating Force: 7N MIN.
- DIMENSIONS MARKED "▼" TO BE CHECKED BY Q.C & IPQC.

4.PART NO.

U253-05XX-4BH87-X-X

1:Au 1U"
6:Au 30U"

T:TIN
N:NICKEL

1:H1.2 2:H1.17 3:H0.7
S:Scrolls F:Flat

B:BLACK W:WHITE

1:PBT
2:PA6T
3:PA9T
4:LCP

MARK	DESCRIPTION	DATE	REVISED	APPROVED	UNSPECIFIED TOLERANCES
ΔX					ANGULAR ±5°
ΔX					L ≤ 4 ±0.2
ΔX					4 < L ≤ 16 ±0.3
					16 < L ≤ 63 ±0.4
					L > 63 ±0.5

DSND	DATE	SCALE: N/A	MODEL TYPE: MICRO USB
DWN	DATE	VIEW:	PART NO.: U253-05XX-4BH87
CHKD	DATE	UNIT: mm	DWG NO.: U253-05XX-4BH87-XX
APPD	DATE	SIZE: A4	WEIGHT 1.0g SHEET 1/1 REVISION A0
XKB INDUSTRIAL PRECISION CO., LIMITED			